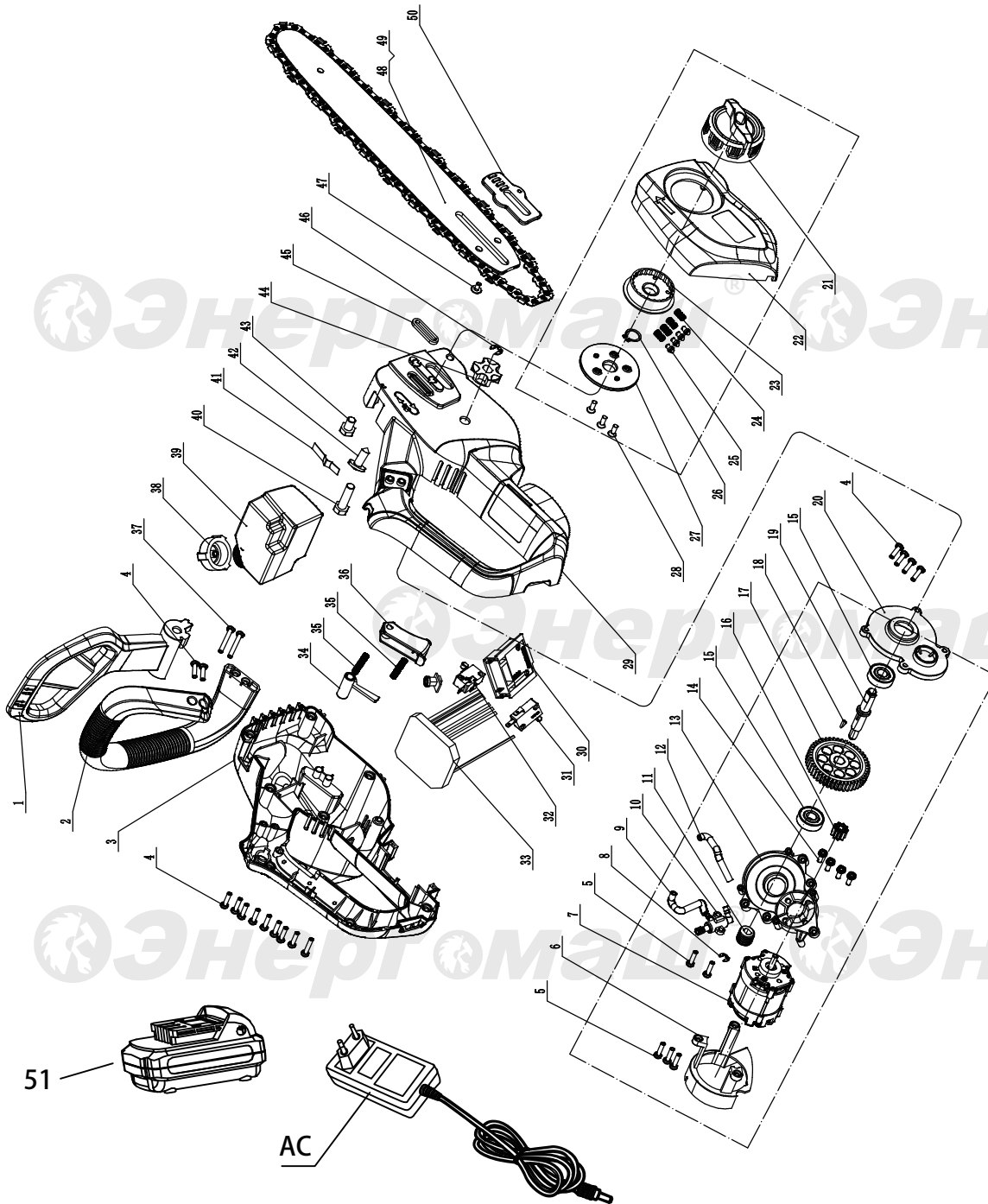


ПЦА-2012Б



NO	DESCRIPTION	NO	DESCRIPTION
1	FRONT FENDER	27	TENTIONER PULLEY
2	FRONT HANDLE	28	BOLT ST4*12
3	ENGINE COVER,LEFT	29	ENGINE COVER ,RIGHT
4	SCREW ST4*16	30	18V PIN
5	SCREW ST4*12	31	MICROSWITCH
6	WIND DEFLECTOR	32	MICROSWITCH
7	BRUSHLESS ENGINE	33	CONTROLLER
8	RETAINER RING Ø10*Ø5*Ø0.8	34	ANTI-SELF-LOCKING BUTTON
9	OIL PIPE	35	ANTI-SELF-LOCKING SPRING
10	OIL PUMP	36	SWITCHBOARD
11	WORM	37	BOLT ST4*30
12	NOZZLE	38	OIL CAP
13	BRUSHLESS GEAR CASE	39	OIL TANK
14	BOLT M4*12	40	BOLT M8*30
15	BEARING 6000Z	41	BRAKE SHRAPNEL
16	SMALL GEAR CASE	42	BOLT ST4*10
17	BIG GEAR CASE	43	BOLT M8*12
18	KEY	44	3/8 SPROCKET
19	OUTPUT SHAFT	45	SNAP RING
20	COVER,GEAR CASE	46	SNAP RING
21	LOCKING KNOB	47	BOLT M4*8
22	CHAIN PLATE GLAND	48	BAR 12" 3/8
23	SKIP RING	49	CHAIN 12" 3/8
24	SKIP SPRING	50	TENTIONER PAD
25	SKIP PIN	51	BATTERY PACK
26	ELASTIC RETAINER FOR SHAFT	AC	CHARGER

PCA-2012B-EX-RU250115-1